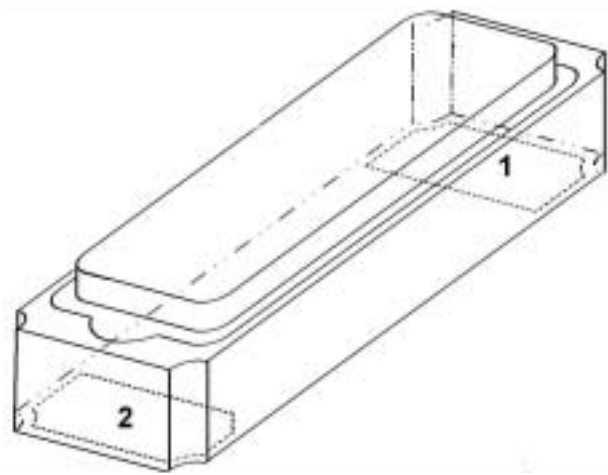


HiRel Silicon Switching Diode

Target datasheet

- For high-speed switching applications
- Covers 1N6639 – 1N6643



Type	Marking	Pin Configuration		Package
BAY6642	-	1 Anode	2 Cathode	HSL2-1808

Maximum Ratings

at $T_A=25^{\circ}\text{C}$; unless otherwise specified

Parameter	Symbol	Values	Unit
Working peak reverse voltage	V_{RWM}	75	V
Average output rectified current ¹⁾	I_O	300	mA
Forward surge current, $t \leq 10\text{ms}$	I_{FSM}	2.5	A
Junction temperature	T_j	175	$^{\circ}\text{C}$
Operating temperature range	T_{op}	-65...+175	$^{\circ}\text{C}$
Storage temperature range	T_{stg}	-65...+175	$^{\circ}\text{C}$

Thermal Resistance

Junction to soldering point	$R_{th JS}$	Typ. 100	K/W
-----------------------------	-------------	----------	-----

1) For $T_A > 25^{\circ}\text{C}$ the derating of I_O has to be considered. Nomograms will be available on request.

Electrical Characteristics

 at $T_A=25^\circ\text{C}$; unless otherwise specified

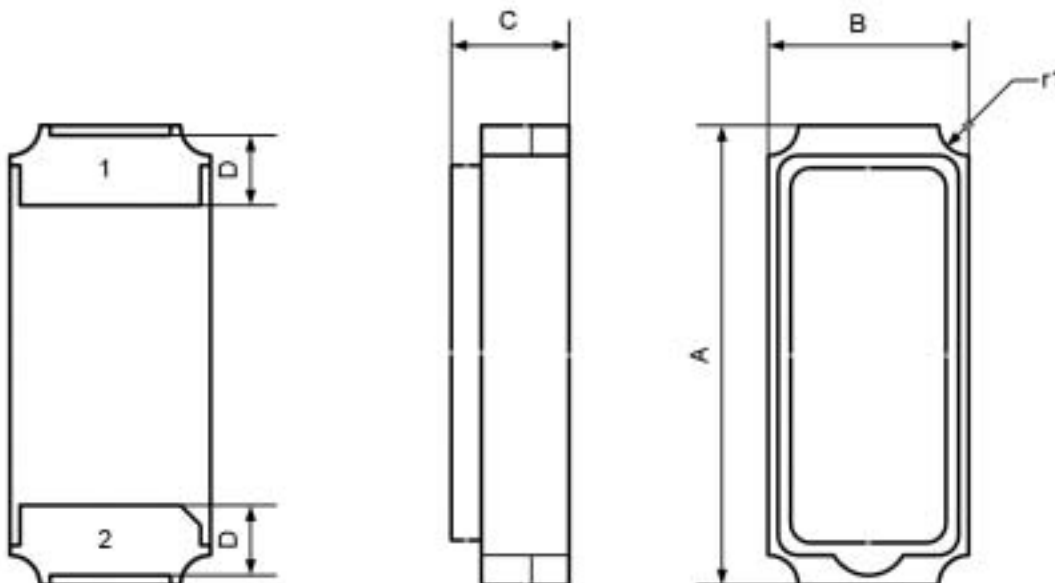
Parameter	Symbol	Values			Unit
		min.	typ.	max.	

DC Characteristics

Breakdown voltage, $I_R = -10 \mu\text{A}$	$V_{(BR)}$	100	-	-	V
Reverse current $V_R = 75 \text{ V}$ $V_R = 75 \text{ V}, T_A = 150^\circ\text{C}$	I_R	-	-	0.5 100	μA μA
D.C. Forward voltage $I_F = 1 \text{ mA}$ $I_F = 10 \text{ mA}$ $I_F = 100 \text{ mA}$ $I_F = 500 \text{ mA}$	V_F	- - - -	- - - -	0.62 0.80 0.92 1.20	V V V V

AC Characteristics

Total capacitance, $V_R = 0\text{V}, f = 1 \text{ MHz}$	C_T	-	-	2.5	pF
Reverse recovery time $I_F = 10 \text{ mA}, I_R = 10 \text{ mA}$ measured at $I_R = 2 \text{ mA}, R_L = 100 \Omega$	t_{rr}	-	4	-	ns
Forward recovery time, $I_F = 200 \text{ mA}$	t_{fr}	-	-	10	ns

HSL2 Package:


Symbol	A	B	C	D	r1
typical width [mm]	4.6	2.0	1.3	0.7	0.3

Edition 2006-02-01

Published by

Infineon Technologies AG

81726 München, Germany

© Infineon Technologies AG 2006

All Rights Reserved.

Attention please!

The information given in this document shall in no event be regarded as a guarantee of conditions or characteristics ("Beschaffenheitsgarantie"). With respect to any examples or hints given herein, any typical values stated herein and/or any information regarding the application of the device, Infineon Technologies hereby disclaims any and all warranties and liabilities of any kind, including without limitation warranties of non-infringement of intellectual property rights of a third party.

Information

For further information on technology, delivery terms and conditions and prices please contact your nearest Infineon Technologies Office (www.infineon.com).

Warnings

Due to technical requirements components may contain dangerous substances. For information on the types in question please contact your nearest Infineon Technologies Office.

Infineon Technologies Components may only be used in life-support devices or systems with the express written approval of Infineon Technologies, if a failure of such components can reasonably be expected to cause the failure of that life-support device or system, or to affect the safety or effectiveness of that device or system.

Life support devices or systems are intended to be implanted in the human body, or to support and/or maintain and sustain and/or protect human life. If they fail, it is reasonable to assume that the health of the user or other persons may be endangered.